

**HiKuBlack**  
**BLACK FRAME ON BLACK BACKSHEET**  
**MONO PERC MODULE**  
**F30 Frame**  
**380 W ~ 400 W**  
**CS3N-380 | 385 | 390 | 395 | 400MS**

**MORE POWER**



Module power up to 400 W  
 Module efficiency up to 19.7%



Lower LCOE & BOS cost



Comprehensive LID / LeTID mitigation technology, up to 50% lower degradation



Better shading tolerance

**MORE RELIABLE**



Minimizes micro-crack impacts



Heavy snow load up to 5400 Pa, enhanced wind load up to 2400 Pa\*

\* For detailed information, please refer to Installation Manual.



**25 Years** Industry Leading Product Warranty on Materials and Workmanship\*



**25 Years** Linear Power Performance Warranty\*

**1<sup>st</sup> year power degradation no more than 2%**  
**Subsequent annual power degradation no more than 0.55%**

\*Subject to the terms and conditions contained in the applicable Canadian Solar Limited Warranty Statement. Also this 25-year limited product warranty is available only for products installed and operating on residential rooftops in certain regions.

**MANAGEMENT SYSTEM CERTIFICATES\***

ISO 9001: 2015 / Quality management system  
 ISO 14001: 2015 / Standards for environmental management system  
 ISO 45001: 2018 / International standards for occupational health & safety

**PRODUCT CERTIFICATES\***

IEC 61215 / IEC 61730 / CE  
 FSEC (US Florida)  
 UL 61730 / IEC 61701 / IEC 62716  
 UNI 9177 Reaction to Fire: Class 1 / Take-e-way



\* The specific certificates applicable to different module types and markets will vary, and therefore not all of the certifications listed herein will simultaneously apply to the products you order or use. Please contact your local Canadian Solar sales representative to confirm the specific certificates available for your Product and applicable in the regions in which the products will be used.

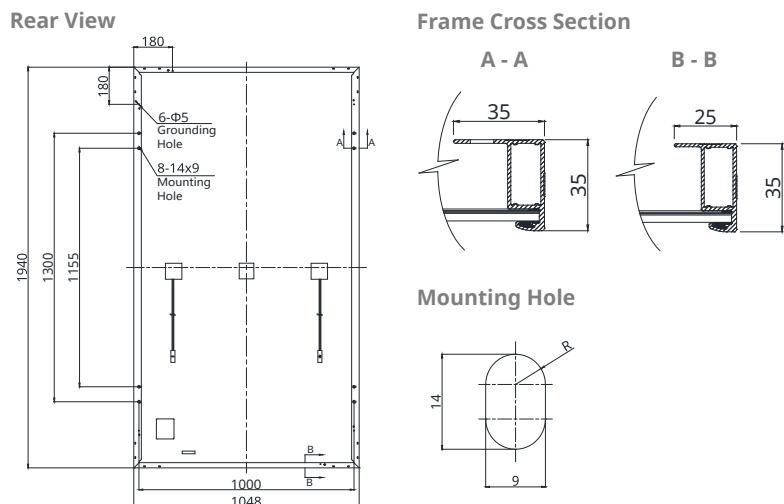
**CSI SOLAR (USA) CO., LTD.** is committed to providing high quality solar photovoltaic modules, solar energy and battery storage solutions to customers. The company was recognized as the No. 1 module supplier for quality and performance/price ratio in the IHS Module Customer Insight Survey. Over the past 20 years, it has successfully delivered over 63 GW of premium-quality solar modules across the world.

**CSI SOLAR (USA) CO., LTD.**

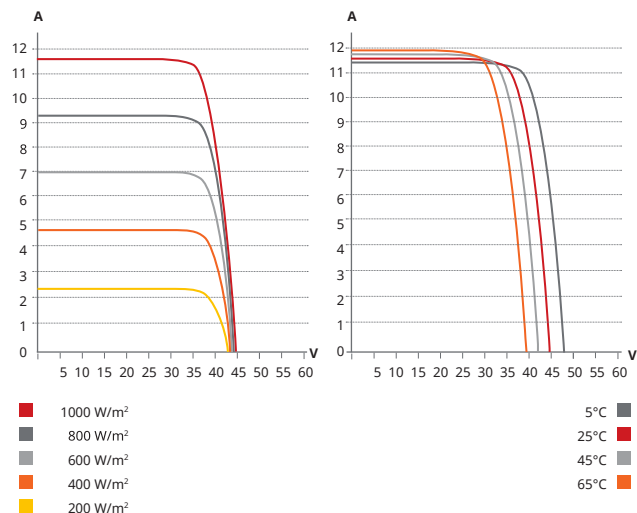
1350 Treat Blvd. Suite 500, Walnut Creek, CA 94598, USA | [www.csisolar.com/na](http://www.csisolar.com/na) | [service.ca@csisolar.com](mailto:service.ca@csisolar.com)



**ENGINEERING DRAWING (mm)**



**CS3N-400MS / I-V CURVES**



**ELECTRICAL DATA | STC\***

CS3N	380MS	385MS	390MS	395MS	400MS
Nominal Max. Power (Pmax)	380 W	385 W	390 W	395 W	400 W
Opt. Operating Voltage (Vmp)	36.4 V	36.6 V	36.8 V	37.0 V	37.2 V
Opt. Operating Current (Imp)	10.44 A	10.52 A	10.60 A	10.68 A	10.76 A
Open Circuit Voltage (Voc)	43.7 V	43.9 V	44.1 V	44.3 V	44.5 V
Short Circuit Current (Isc)	11.26 A	11.32 A	11.38 A	11.44 A	11.50 A
Module Efficiency	18.7%	18.9%	19.2%	19.4%	19.7%
Operating Temperature	-40°C ~ +85°C				
Max. System Voltage	1000V (IEC/UL)				
Module Fire Performance	TYPE 1 (UL 61730 1500V) or TYPE 2 (UL 61730 1000V) or CLASS C (IEC 61730)				
Max. Series Fuse Rating	20 A				
Application Classification	Class A				
Power Tolerance	0 ~ + 10 W				

\* Under Standard Test Conditions (STC) of irradiance of 1000 W/m², spectrum AM 1.5 and cell temperature of 25°C.

**MECHANICAL DATA**

Specification	Data
Cell Type	Mono-crystalline
Cell Arrangement	132 [2 X (11 X 6)]
Dimensions	1940 X 1048 X 35 mm (76.4 X 41.3 X 1.38 in)
Weight	22.5 kg (49.6 lbs)
Front Cover	3.2 mm tempered glass
Frame	Anodized aluminium alloy
J-Box	IP68, 3 bypass diodes
Cable	4 mm² (IEC), 12 AWG (UL)
Cable Length (Including Connector)	1650 mm (65.0 in) (-) / 1000 mm (39.4 in) (+)*
Connector	T4 or MC4 series
Per Pallet	30 pieces
Per Container (40' HQ)	720 pieces

\* For detailed information, please contact your local Canadian Solar sales and technical representatives.

**ELECTRICAL DATA | NMOT\***

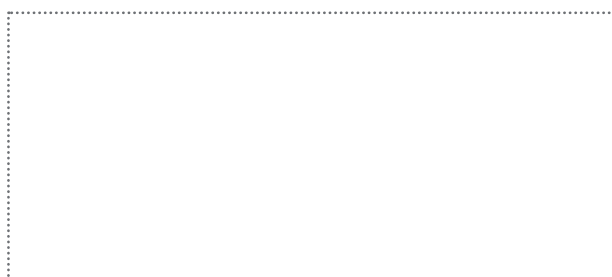
CS3N	380MS	385MS	390MS	395MS	400MS
Nominal Max. Power (Pmax)	285 W	289 W	293 W	296 W	300 W
Opt. Operating Voltage (Vmp)	34.1 V	34.3 V	34.5 V	34.7 V	34.9 V
Opt. Operating Current (Imp)	8.35 A	8.42 A	8.48 A	8.54 A	8.60 A
Open Circuit Voltage (Voc)	41.3 V	41.5 V	41.7 V	41.9 V	42.1 V
Short Circuit Current (Isc)	9.08 A	9.13 A	9.18 A	9.22 A	9.27 A

\* Under Nominal Module Operating Temperature (NMOT), irradiance of 800 W/m²-spectrum AM 1.5, ambient temperature 20°C, wind speed 1 m/s.

**TEMPERATURE CHARACTERISTICS**

Specification	Data
Temperature Coefficient (Pmax)	-0.34 % / °C
Temperature Coefficient (Voc)	-0.26 % / °C
Temperature Coefficient (Isc)	0.05 % / °C
Nominal Module Operating Temperature	41 ± 3°C

**PARTNER SECTION**



\* The specifications and key features contained in this datasheet may deviate slightly from our actual products due to the on-going innovation and product enhancement. CSI Solar Co., Ltd. reserves the right to make necessary adjustment to the information described herein at any time without further notice. Please be kindly advised that PV modules should be handled and installed by qualified people who have professional skills and please carefully read the safety and installation instructions before using our PV modules.